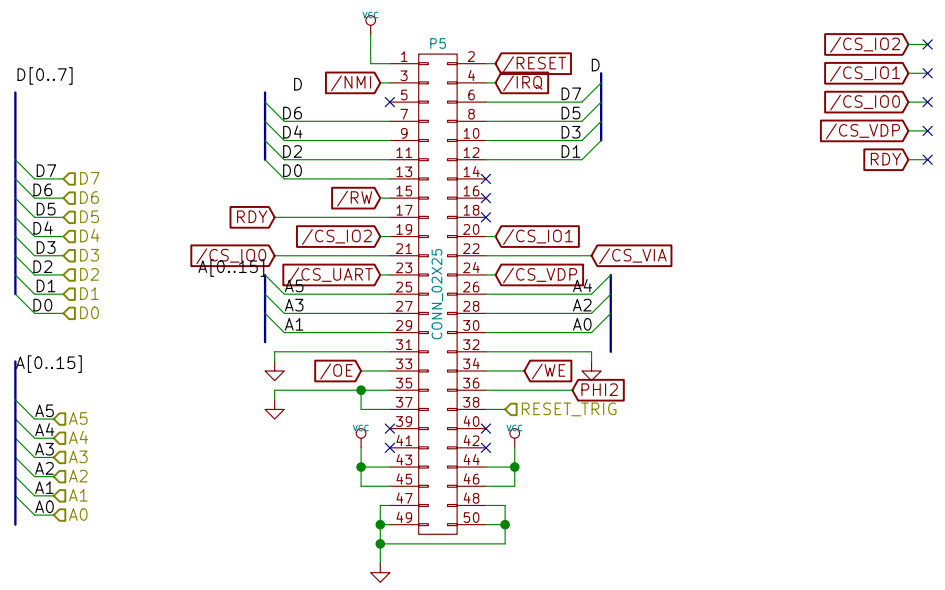


Sheet: /
File: io.sch

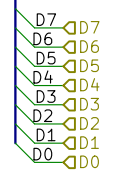
Title:

Size: A4 Date:
KiCad E.D.A. eeschema 4.0.2+dfsg1-stable

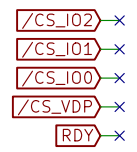
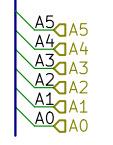
Rev:
Id: 1/7



D[0..7]

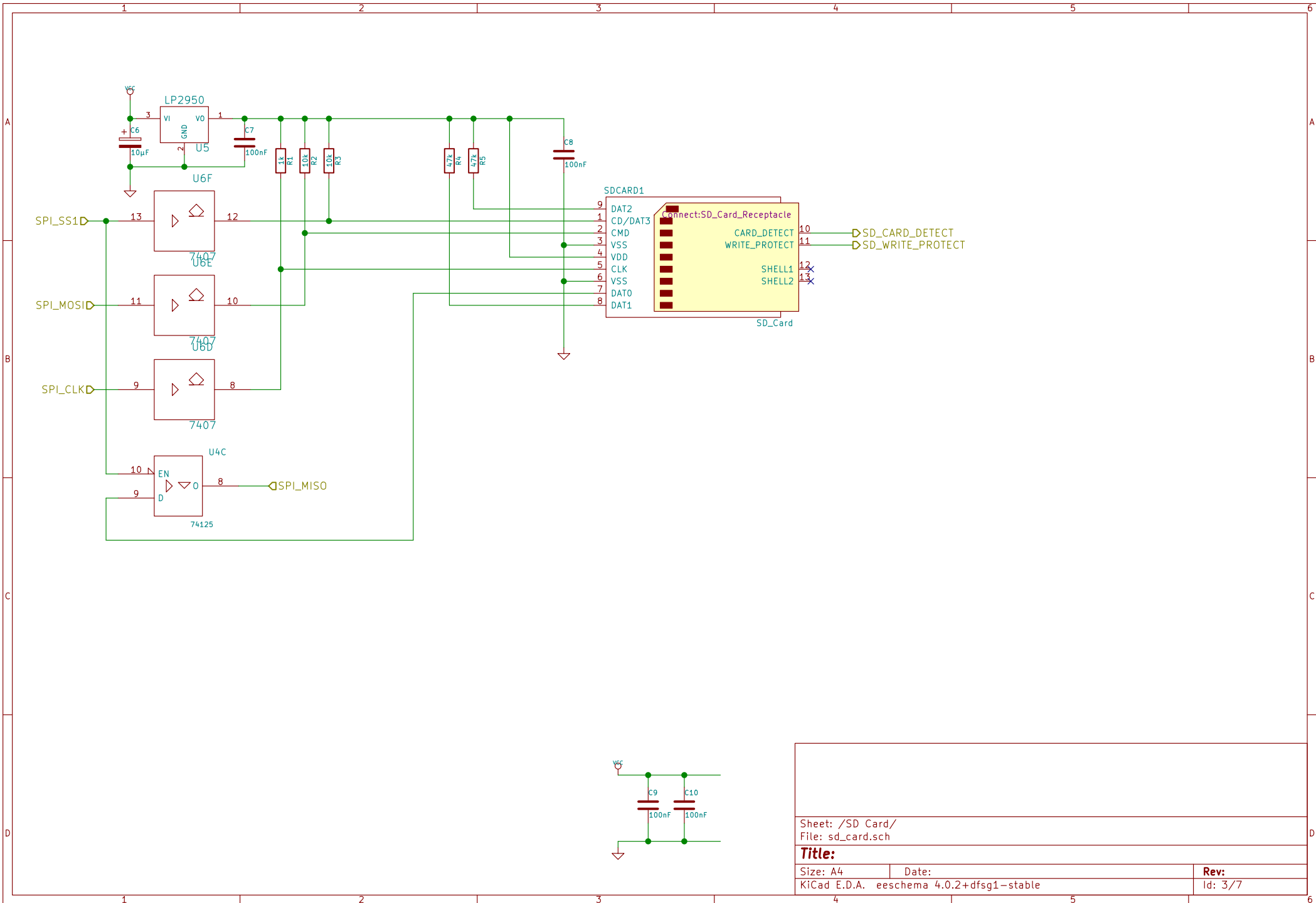


A[0..15]

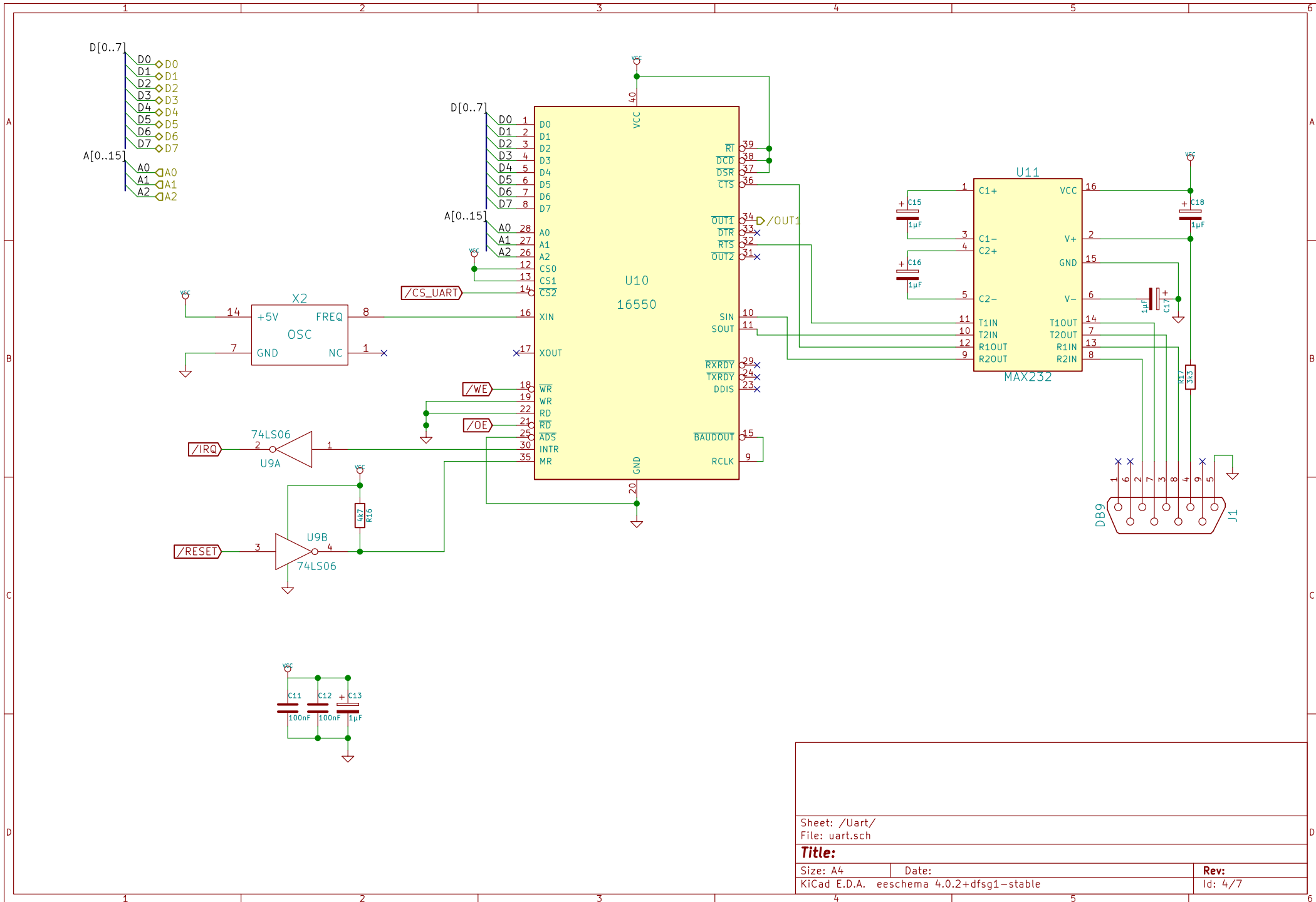


Sheet: /Connector/
File: 50pin_connector.sch

Title:		Rev:	
Size: A4	Date:		
KiCad E.D.A. eeschema 4.0.2+dfsg1-stable		Id: 2/7	



Sheet: /SD Card/ File: sd_card.sch		
Title:		
Size: A4	Date:	Rev:
KiCad E.D.A. eeschema 4.0.2+dfsg1-stable		Id: 3/7



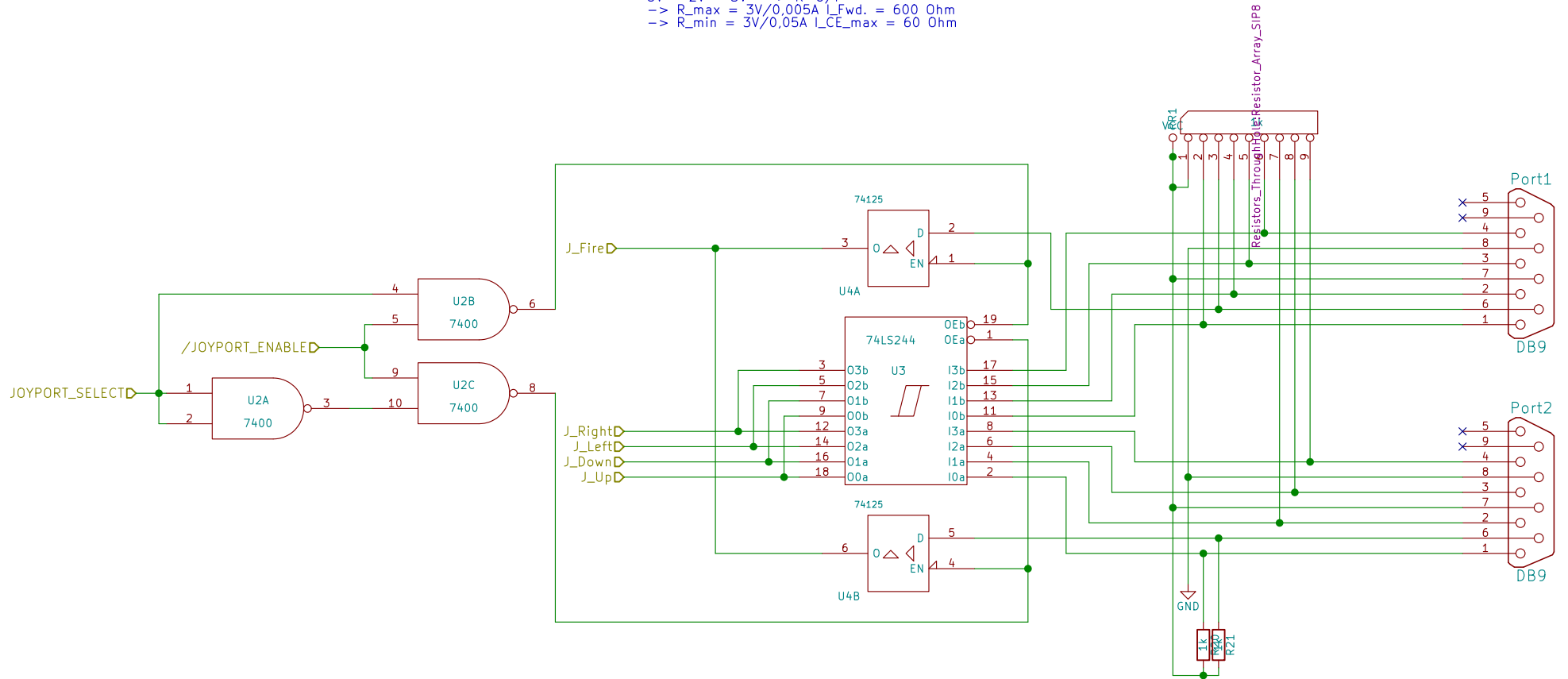
Sheet: /Uart/
File: uart.sch

Title:

Size: A4 Date: KiCad E.D.A. eeschema 4.0.2+dfsg1-stable

Rev: Id: 4/7

$1,2V U_{Fwd.} + 0,7V U_{Sperr} + 0,1V U_{CE} = 2V$
 $5V - 2V = 3V \rightarrow R = U/I$
 $\rightarrow R_{max} = 3V/0,005A I_{Fwd.} = 600 \text{ Ohm}$
 $\rightarrow R_{min} = 3V/0,05A I_{CE_{max}} = 60 \text{ Ohm}$



Sheet: /Joystick Ports/
 File: joystick.sch

Title:

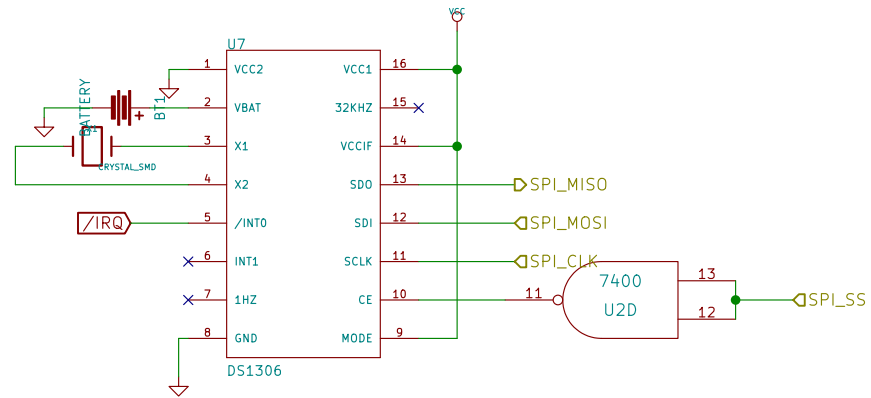
Size: A4

Date:

KiCad E.D.A. eeschema 4.0.2+dfsg1-stable

Rev:

Id: 5/7

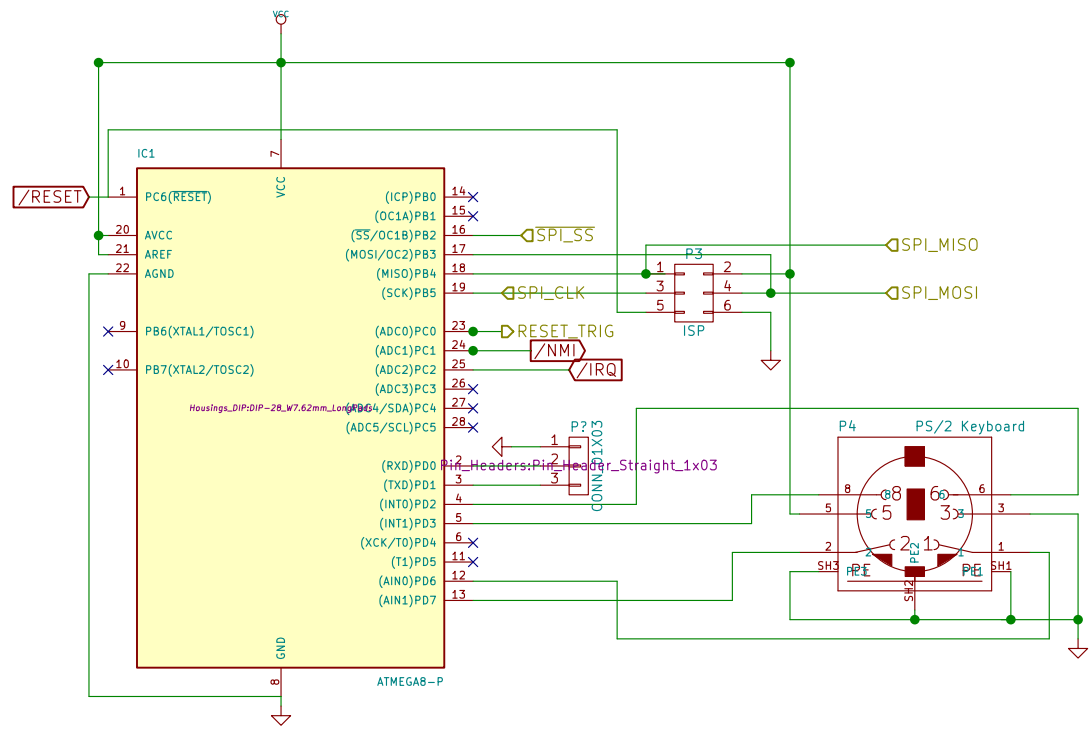


Sheet: /RTC/
File: rtc.sch

Title:

Size: A4 Date: KiCad E.D.A. eeschema 4.0.2+dfsg1-stable

Rev: Id: 6/7



Sheet: /PS/2 Controller/
File: ps2.sch

Title:

Size: A4 Date: KiCad E.D.A. eeschema 4.0.2+dfsg1-stable

Rev: Id: 7/7